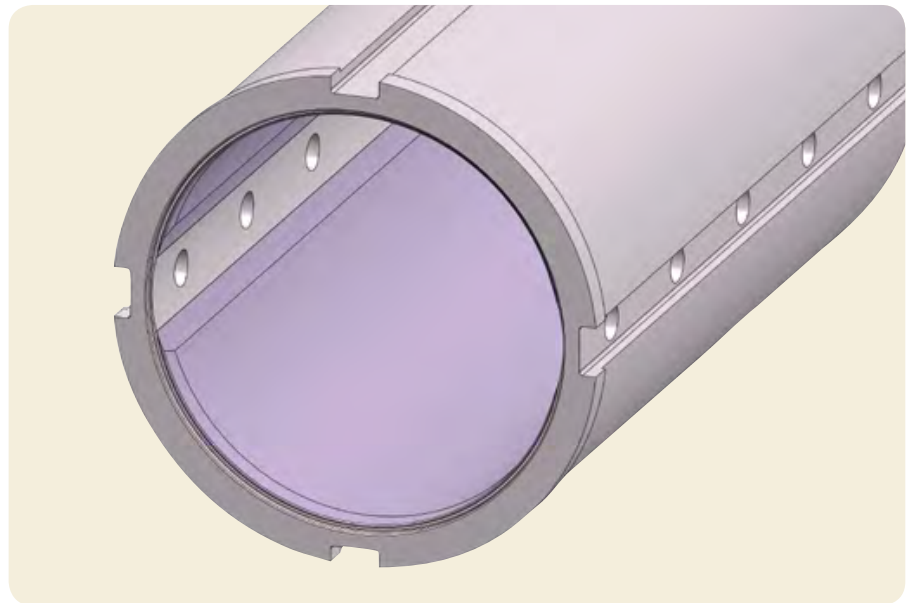


Simplex Sterntube bushes

General description

- Simplex sterntube bushes in combination with Simplex seals as the ideal solution for oil-lubricated sterntubes
- Available in different material combinations of bushes and white metal lining
- Bushes available up to 2 800 mm in length and with outside diameter of 1 200 mm



Advantages

Design

Produced in accordance with the rules of the respective classification societies and with the appropriate certificates

Customised solution by computer calculation of hydrodynamic operational reliability to determine various technical parameters:

- Shaft diameter
- Maximum and minimum rpm
- Radial load in t or kN
- Maximum ambient and sea water temperatures
- Oil viscosity (if oil type is known)

Installation

Plug and play solution ultrasonically tested before shipment. Test certificate can be supplied on request

Operation

Characterized by high quality materials and machining → functional reliability

Flexible Pt 100 temperature sensor (optional) for an in-situ replacement during operation of the vessel → no second sensor necessary as mandated by most classes if routed in protection pipe

Services

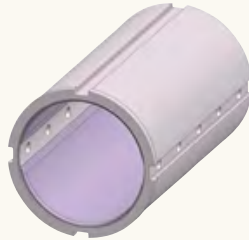
Designed for in-situ overhaul as per certified and approved Simplex repair standards

Worldwide service network and availability of spares

In case of emergency a complete set of bushes can be supplied or repaired within a few working days

Type

Stern tube bush for fwd or aft position



“Bush in bush” version

Outer bush with seal flange ring: inside finish-machined and outside rough-machined for direct casting. Inlay bush: outside and inside finish-machined bush for an easy exchange



Specification

Material design
lead or tin-based white metal:

Temperature measurement:

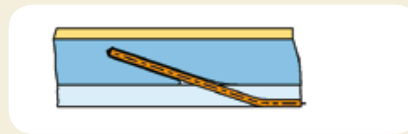
Groove design:

Lubrication:

Standard

Standard design mainly for merchant shipping
Bush: EN-GJL-200 (GG-20) cast iron

Flexible temperature sensor (Pt 100) for remote monitoring, measures the temperature at the white metal, front-mounted



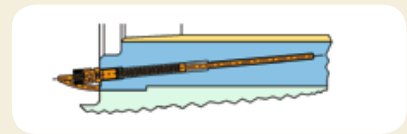
Bushes with straight oil groove

Self-lubrication

Optional

Design for higher stresses, e.g. naval ships or icebreakers
Bush: EN-GJS-400-15 (GGG-40) spheroidal cast iron

Additional flexible temperature sensor (Pt 100) in response to customer demands for remote monitoring, measures the temperature at the white metal, rear-mounted



Specific oil groove geometry (e.g. helical grooves) for twin-screw vessels

Hydrostatic lubrication including oil unit

Authorised Distributor



t: +44 1264 860186

e: spares@simplexturbulo.com

STC is a member of



© SKF is a registered trademark of the SKF Group.

© SKF Group 2015

The contents of this publication are the copyright of the publisher and may not be reproduced (even extracts) unless prior written permission is granted. Every care has been taken to ensure the accuracy of the information contained in this publication but no liability can be accepted for any loss or damage whether direct, indirect or consequential arising out of the use of the information contained herein.

PUB 43/P2 14869/1 EN · September 2015

